

LANSDALE

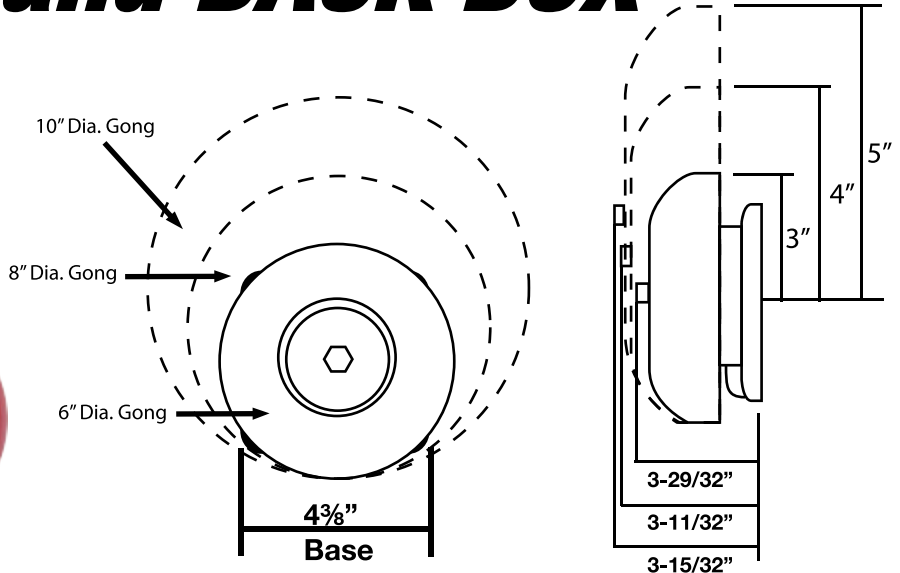
VALVE & MANUFACTURING

www.Breccocorp.com

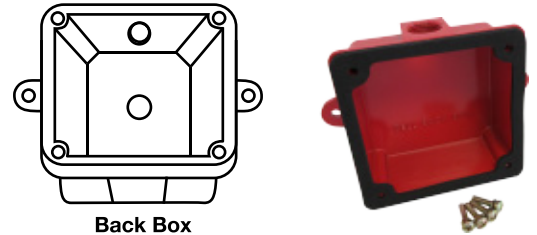
BELLS and BACK BOX

- Four wire, 120 and 24 volt
- Indoor and Outdoor installation
- Weatherproof backbox

120 VAC: 6", 8", 10"
24 VAC: 6", 10"



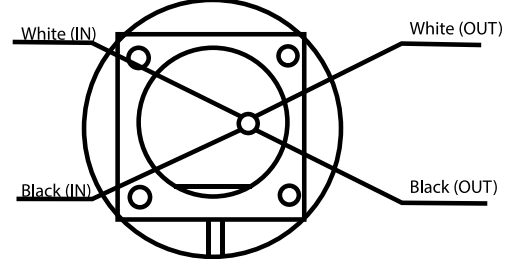
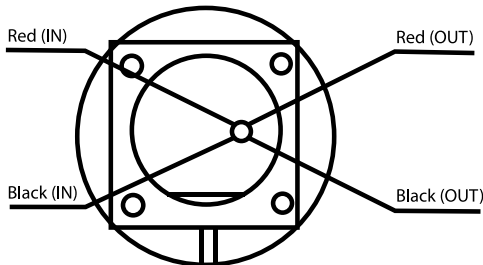
Rating	6 Gong Size		8 Gong Size		10 Gong Size	
Voltage	Rated Current	Sound level at 1 meter	Rated Current	Sound level at 1 meter	Rated Current	Sound level at 1 meter
6VDC	250mA	95dB	250mA	95dB	250mA	95dB
12VDC	180mA	95dB	180mA	95dB	180mA	95dB
24VDC	100mA	95dB	100mA	95dB	100mA	95dB
120VAC	25mA	95dB	25mA	95dB	25mA	95dB
220VAC	20mA	95dB	20mA	95dB	20mA	95dB



D.C. BELLS (observe polarity)

WIRING INSTRUCTIONS

A.C. BELLS



- When electrical supervisor is required use in and out leads as shown.
1. Observe polarity to ring DC Bells
 2. Red wires positive(+)
 3. Black wires negative (-)

- When electrical supervisor is required use in and out leads as shown.
1. When using AC bells, terminate each extra wire separately after last bell.
 2. End-of-line resistor is not required on AC Bells

PROJECT INFORMATION	APPROVAL STAMP
Project:	<input type="checkbox"/> Approved
Address:	<input type="checkbox"/> Approved as noted
Contractor:	<input type="checkbox"/> Not approved
Engineer:	Remarks:
Submittal Data:	
Notes 1:	
Notes 2:	