

BELLS & BACK BOX

MODEL LVBBB

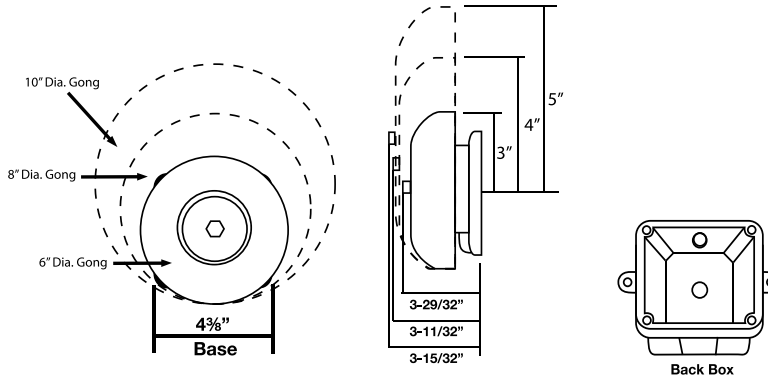


File S35937



FEATURES:

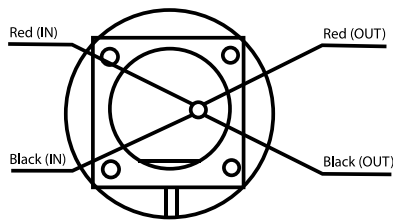
- 120 VAC: 6", 8", 10"
- 24 DC: 6", 8", 10"
- Four wire, 120 and 24 volt
- Specify voltage when ordering
- Indoor and outdoor Installation
- Weatherproof back box



| RATING | 6" GONG SIZE | | 8" GONG SIZE | | 10" GONG SIZE | |
|---------|---------------|------------------------|---------------|------------------------|---------------|------------------------|
| VOLTAGE | RATED CURRENT | SOUND LEVEL AT 1 METER | RATED CURRENT | SOUND LEVEL AT 1 METER | RATED CURRENT | SOUND LEVEL AT 1 METER |
| 6VDC | 250mA | 95dB | 250mA | 95dB | 250mA | 95dB |
| 12VDC | 200mA | 95dB | 200mA | 95dB | 200mA | 95dB |
| 24VAC | 100mA | 95dB | 100mA | 95dB | 100mA | 95dB |
| 120VAC | 46mA | 95dB | 46mA | 95dB | 46mA | 95dB |
| 220VAC | 20mA | 95dB | 20mA | 95dB | 20mA | 95dB |

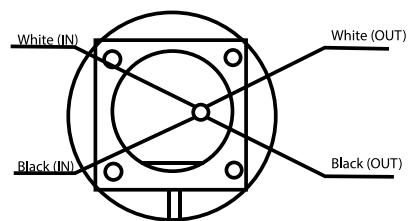
WIRING INSTRUCTIONS

D.C. BELLS (observe polarity)



When electrical supervisor is required use in and out leads as shown.
 1. Observe polarity to ring DC Bells
 2. Red wires positive (+)
 3. Black wires negative (-)

A.C. BELLS



When electrical supervisor is required use in and out leads as shown.
 1. When using AC bells, terminate each extra wire separately after last bell.
 2. End-of-line resistor is not required on AC Bells

| PROJECT | APPROVAL STAMP |
|-----------------|--|
| PROJECT: | <input type="checkbox"/> APPROVED |
| ADDRESS: | <input type="checkbox"/> APPROVED AS NOTED |
| ENGINEER: | <input type="checkbox"/> NOT APPROVED |
| SUBMITTAL DATA: | REMARKS: |
| NOTES 1: | |
| NOTES 2: | |